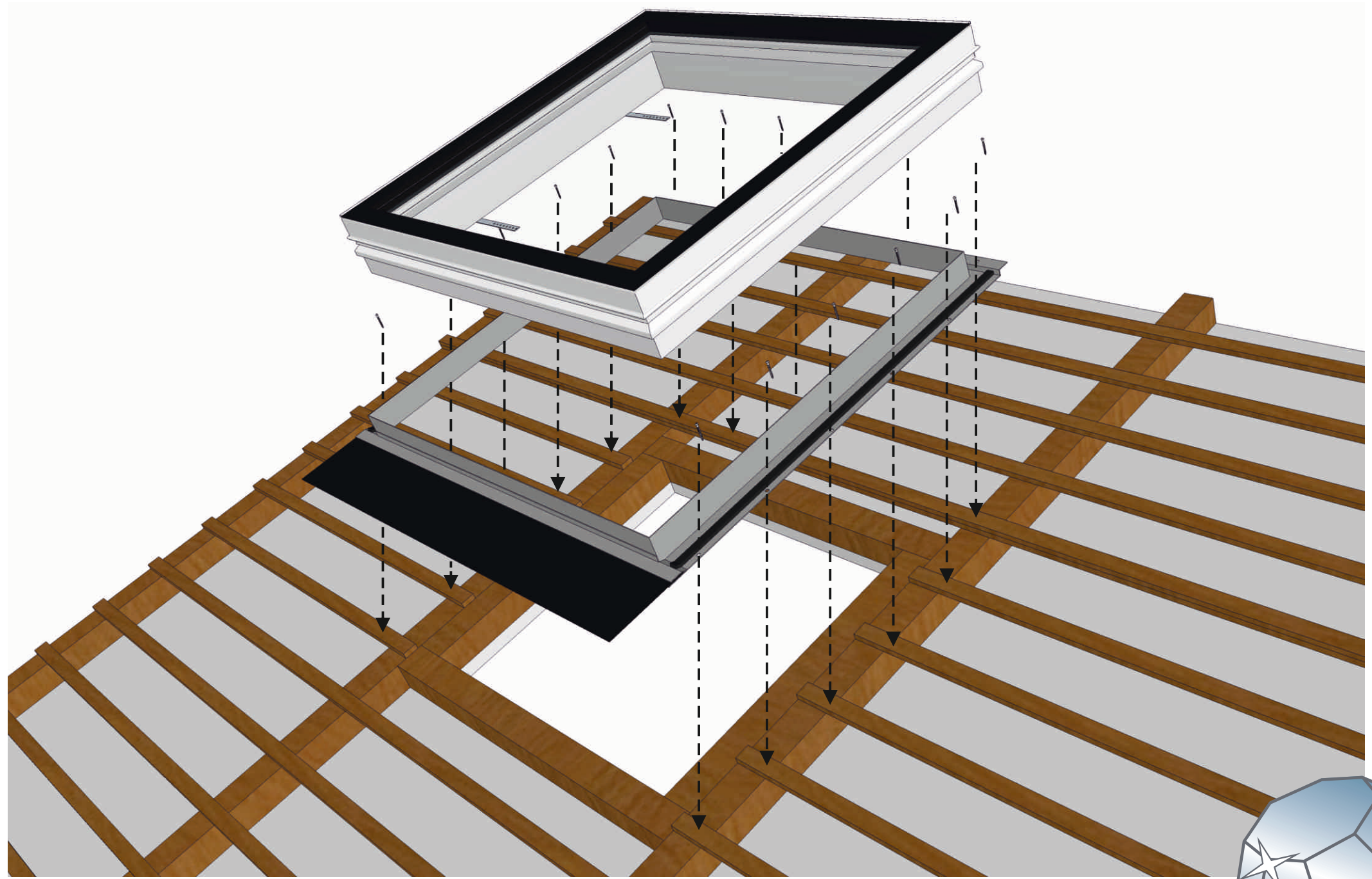


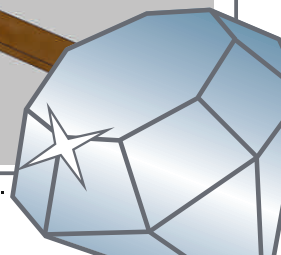
Elegance Roof - Pitched Fixing

Overview



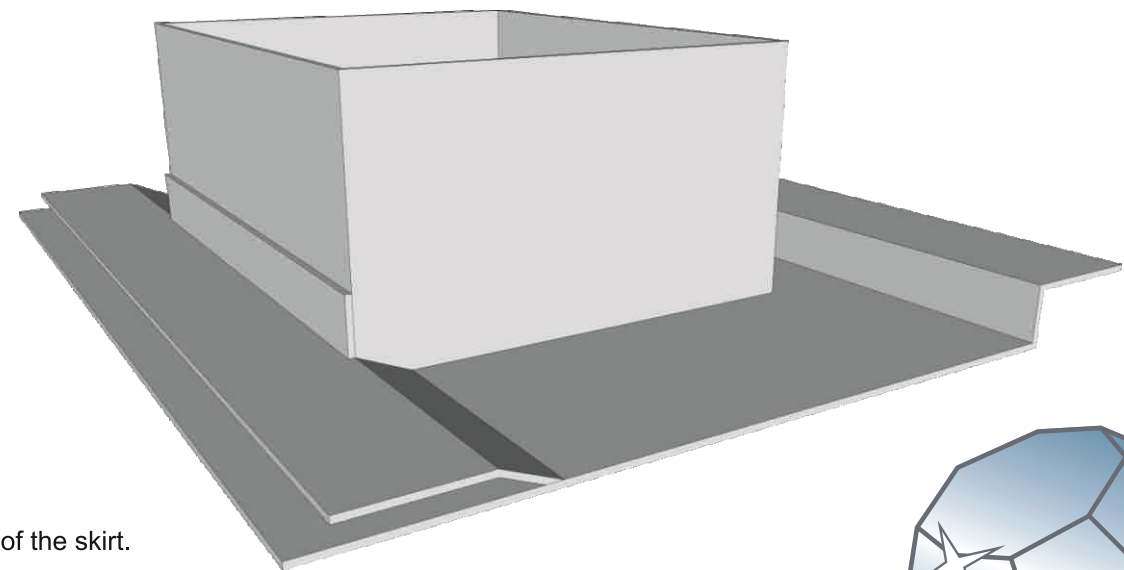
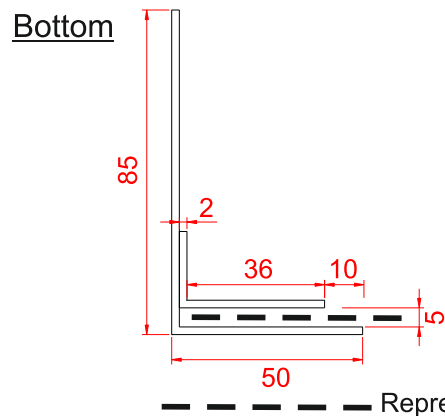
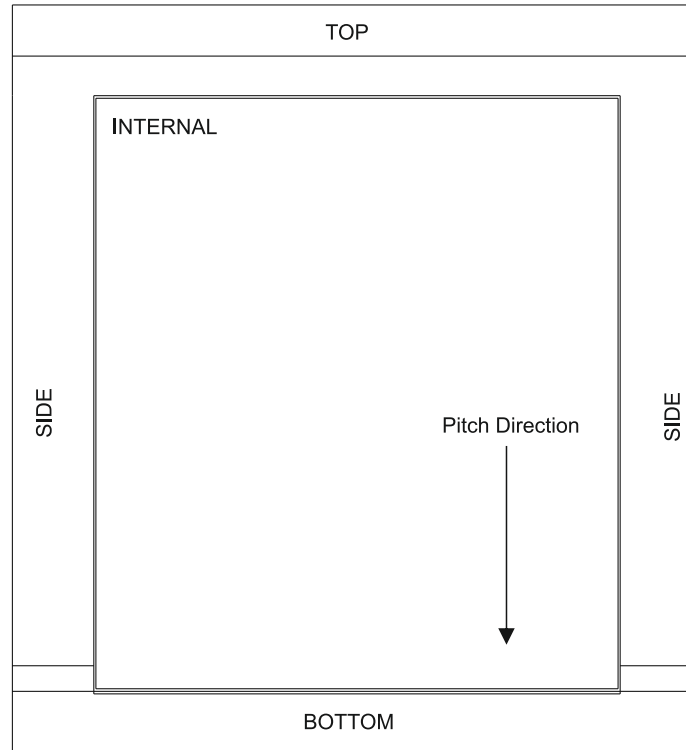
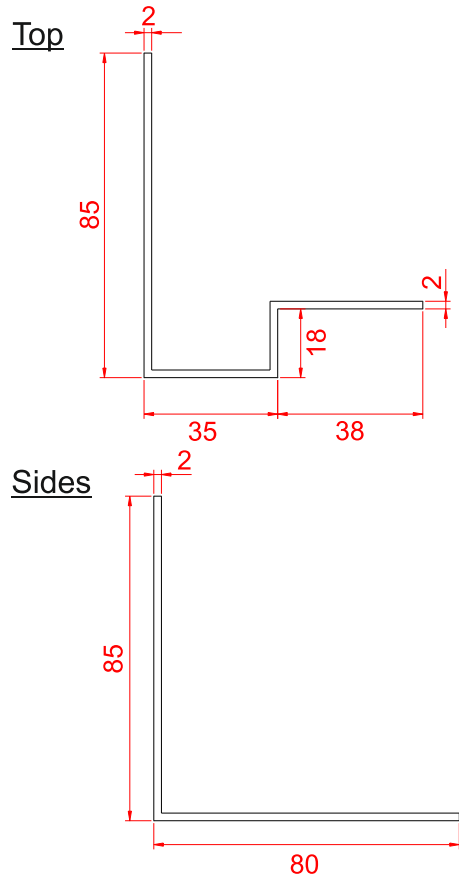
We reserve the right to make changes to the product specification as technical developments dictate and without prior notice. Pictures shown are for illustrative purposes only and are not binding in detail, colour or specification.

E.& O.E.



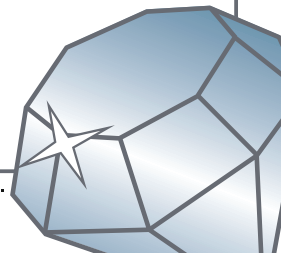
Elegance Roof - Pitched Fixing

Fixing Skirt Dimensions



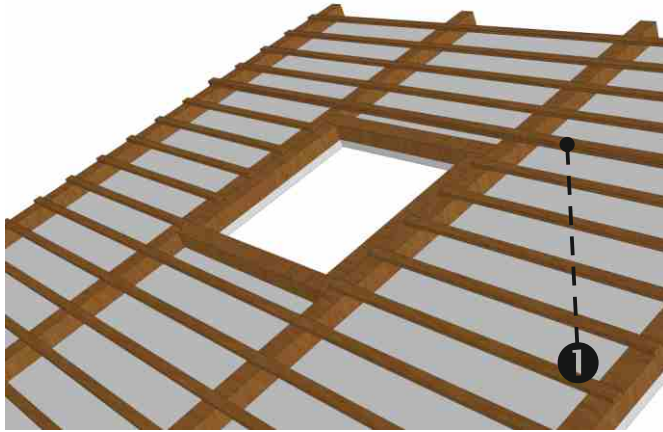
We reserve the right to make changes to the product specification as technical developments dictate and without prior notice. Pictures shown are for illustrative purposes only and are not binding in detail, colour or specification.

E.& O.E.



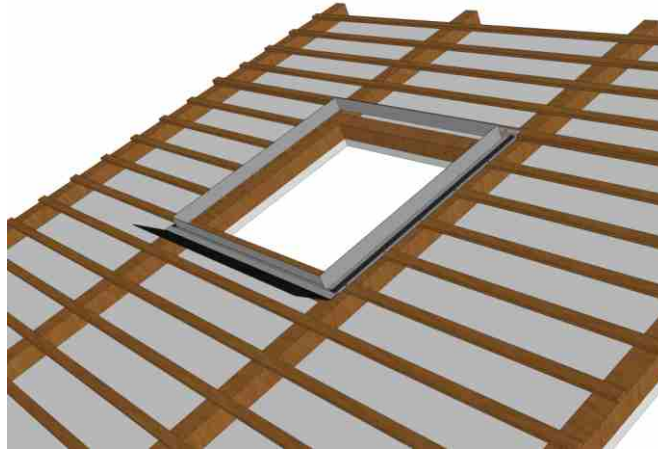
Elegance Roof - Pitched Fixing

Overview



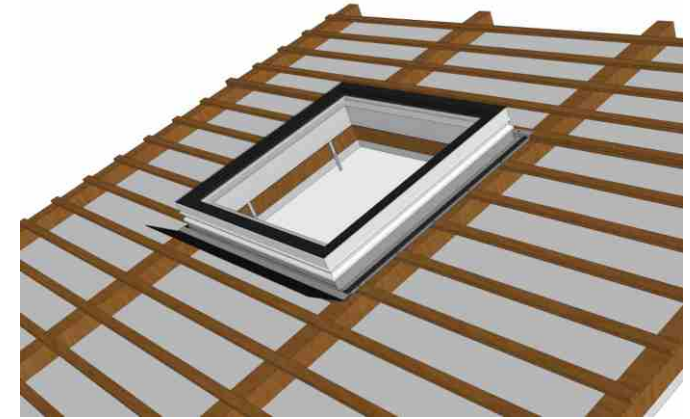
Create your opening and baton arrangement. Note that for the skirt to fit the baton (1) above will need to be doubled up.

See fixing skirt sizes on page 2.



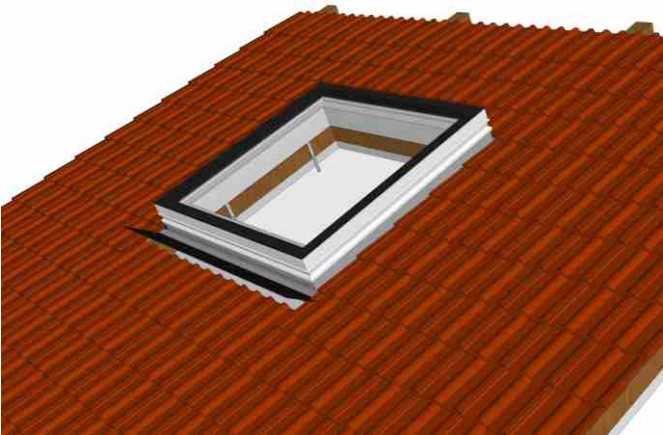
Screw fix skirt into position - the holes for this fixing will need to be done on site to suit your roof arrangement.

Then insert lead strip to the base ready for dressing later.



Slide main roof onto the skirt - opening mechanisms go to the bottom of the pitched roof.

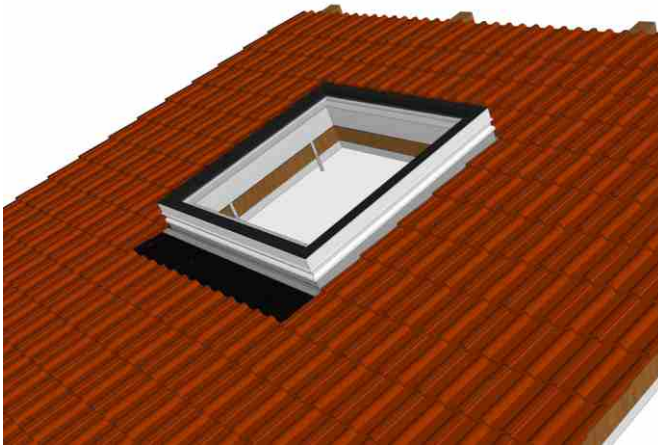
Once in place bend the fixing lugs over your roof construction and screw fix as needed. These will be covered with your desired finishing eg Plaster.



Tile roof as needed.

The tiles should sit over the pre-attached foam tape on the sides of the skirt.

Note: Make sure to prepare the tiles as needed ready for dressing the lead (Consult your roofer).



Once tiled dress and seal the lead strip as needed.

